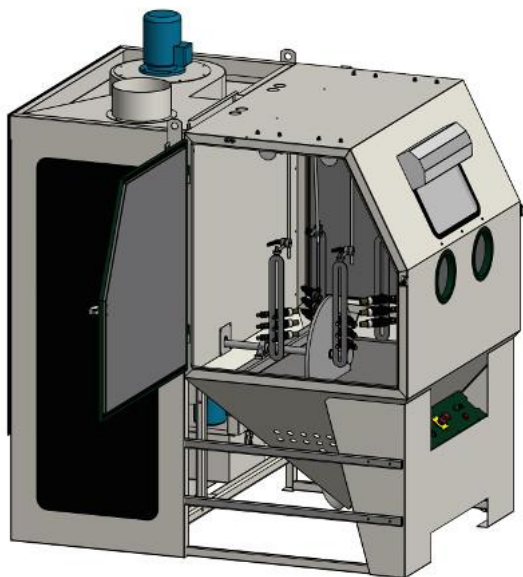




## **Pulsar VI PLUS for car parts**

TA07106

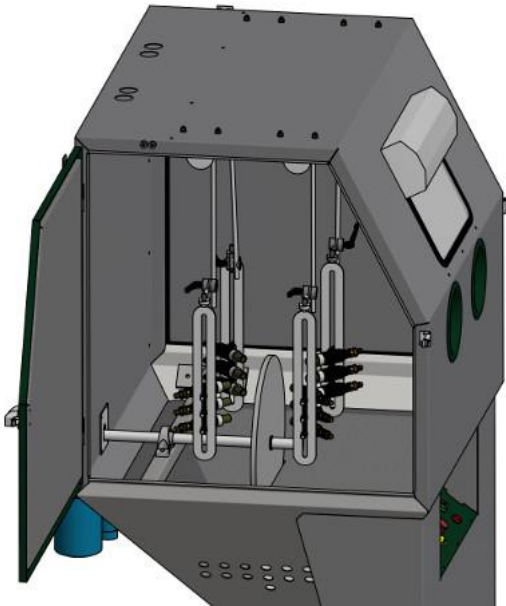
Modified Pulsar VI Plus blast cabinet with 6 blast nozzles for brake and clutch plates.



Application	Blasting of brake and clutch parts with 6 blast nozzles in one cabinet
Equipment solution	6x Injector blast nozzle with $\varnothing$ 9,5mm
Application advantage	Large-area and consistent blasting with multiple blast nozzles
Abrasive media	Glass beads or aluminum oxide
Blast nozzle	6x 9,5mm boron carbide injector nozzle
Media reclaimer	Cyclone
Dust collector	Pulsar PLUS cartridge filter with 2 cartridges (38,6m <sup>3</sup> )
Blast system	Injector system
Electrical requirements	0,75kW / 380V / 50Hz

**Global engineering -  
Trusted solutions**

**CLEMCO<sup>®</sup>**  
INTERNATIONAL



**Clemco**  
International GmbH

[www.clemco-international.com](http://www.clemco-international.com)