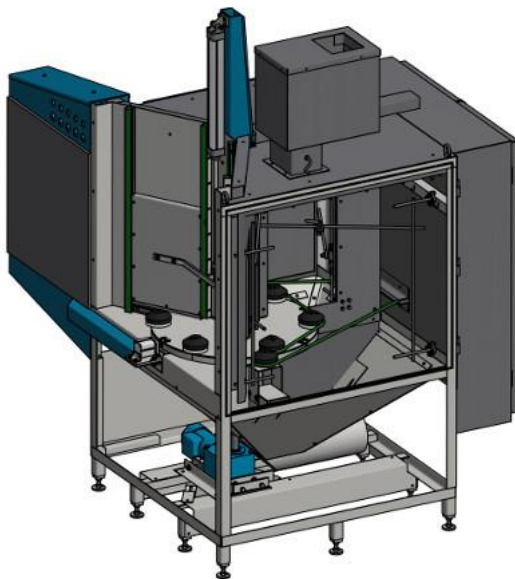


A-200 blast cabinet for cheese knives

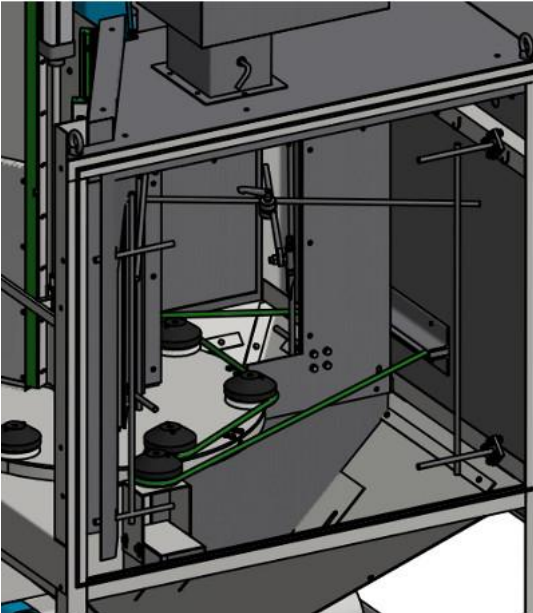
Automatic blast- and blow off cabinet for cheese knives to the effective processing in serial production.



Application	Automatic blasting of cheese knives in serial production
Equipment solution	6 satellites (workpiece holder) 6 injector blast guns
Part Handling	The knife blank will be fixed on the workpiece holder (satellite) due to a robot (optional) and automatically guided into the cabinet. In the first chamber it is blasted by six blast guns and in the second chamber it will be blown off from blast media. Afterwards the processed workpiece exits the chamber for further processing.
Application advantage	Automatic and constant processing of the workpiece in serial production for reproducible results.
Media reclaimer	Cyklone with 1200cfm
Dust collector	MBX cartridge filter with 4 cartridges
Blast system	Injector system

**Global engineering -
Trusted solutions**

CLEMCO[®]
INTERNATIONAL



Clemco
International GmbH

www.clemco-international.com